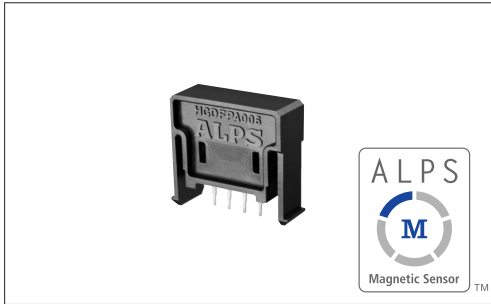


Magnetic Sensor
Switching Output Type (High sensitivity Snap-in Type)
HGDFPA006A



Realizes high gap open/ close detection.



Minimum order unit (pcs.) : 3,000 pcs.

Typical Specifications

Items		Specifications
Dimensions (W×D×H)		14.15×5×13mm
Supply voltage		4.5~5.5V
Current consumption		Ave.1.65mA 5V DC
Operating magnetic field	Hon	0.6mT
	Hoff	0.4mT
Mounting method		Snap-in

Magnetic Sensors

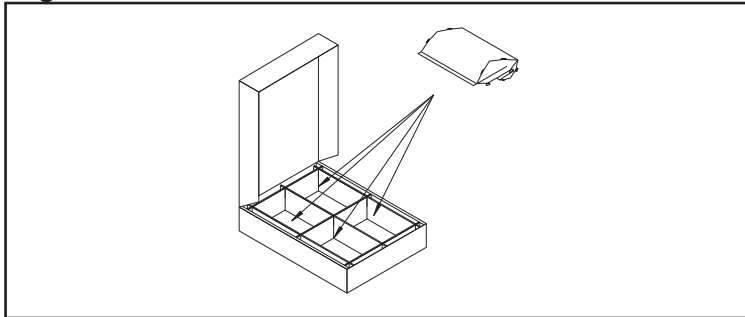
Piezo Sensors

Capacitive Sensor

Resistive Sensors

Packing Specifications

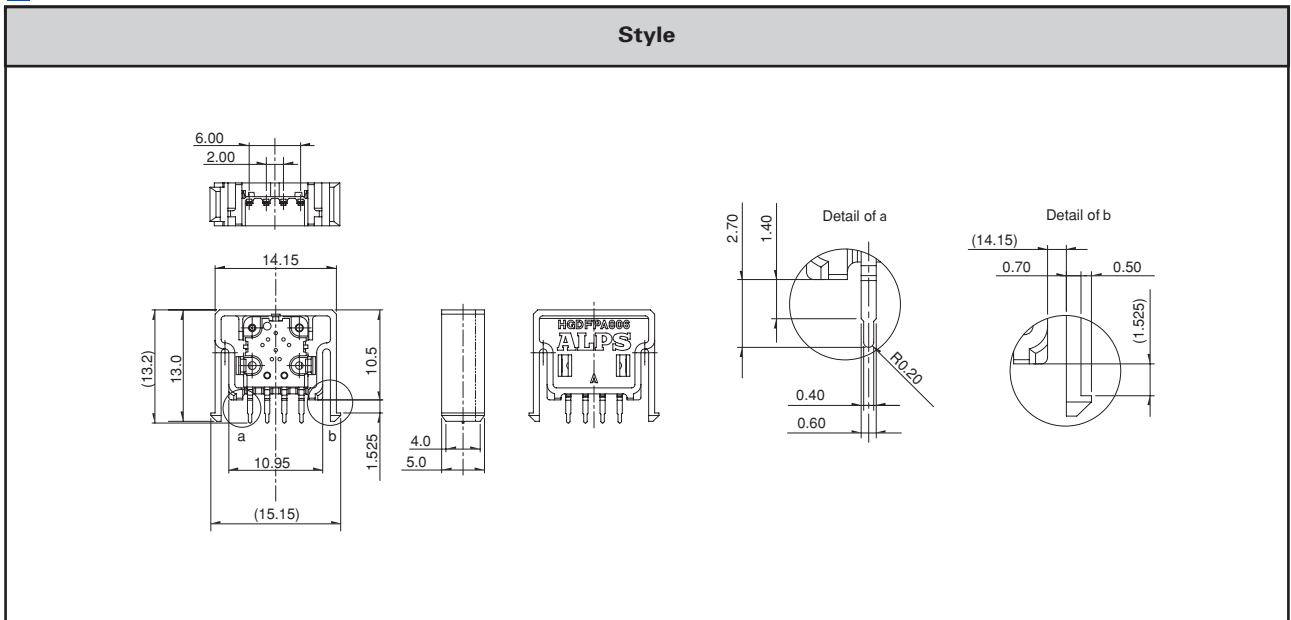
Bag



Number of packages (pcs.)			Export package measurements (mm)
1 bag	1 case /Japan	1 case /export packing	
375	1,500	3,000	270×360×145

Dimensions

Unit:mm



Note

Please place purchase orders per minimum order unit N (integer).

Index for Functions

Style	Series	Photo	Type	Package / Size		Function	Drive voltage	Operating magnetic field	Automotive use	Page					
Magnetic	HGDE□		Switching output (Detection switch)	MAP	1.3×0.9×0.55mm	Single polarity / Single output	Typ.1.8V	Hon 2.0mT	—	499					
						Dual polarity / Single output									
				SON	2.1×2.1×0.75mm	Single polarity / Single output									
						Dual polarity / Single output									
				SOT23	2.9×2.8×1.1mm	Single polarity / Single output									
				HGDF□	SON	2.1×2.1×0.75mm					Single polarity / Single output	Typ.5V	—	—	—
	Dual polarity / Single output														
	SOT23	2.9×2.8×1.1mm	Single polarity / Single output												
			Dual polarity / Single output												
	HGDFPA□		Switching output (Connector Connection Model)		14×9×5mm	Dual polarity / Single Output (open collector output)	Typ.5V	—	—	501					
						Typ.12V									
	Snap-in type	14.15×13.2×5mm	Dual polarity / Single output	Typ.5V	Hon 0.6mT	502									
HGP□P		Latch output type (direction of rotation)	MAP	1.3×0.9×0.55mm	1-phase alternating output Sampling period 1.3msec	Typ.1.8V	Hon 1mT/ Hoff -1mT	●	503						
					Typ.5V										
	SOT23	2.9×2.8×1.1mm	1-phase alternating output Sampling period 35μ sec	Typ.5V											
			Typ.1.8V												
	HGP□D		Incremental encoding output (direction of rotation/rotation direction)	MAP	2×1×0.55mm	2-phase alternating output Sampling period 1.3msec				Typ.1.8V					
						Typ.5V									
SOT23	2.9×2.8×1.1mm	2-phase alternating output Sampling period 35μ sec	Typ.5V												
HGAR□		Linear analog output (Rotation detection)	2×1.5×0.65mm		Output:Typ.±75mV (rotation angle±30°)	1.5 to 5.5V	—	505							
Geomagnetic	HSCD□		Geomagnetic detection	2.5×2.5×0.7mm		Output resolution 0.3 μT / LSB	Ana:2.4 to 3.6V Digi:1.7 to 2.3V	±0.6mT	—	506					

Magnetic Sensors

Piezo Sensors

Resistive Sensors

Resistive Sensors

Note

●marks in "Available for automotive use" indicate that all of the series products can work at the operating temperature range from -40°C to +85°C.