

Power Switch Slim Type Single Pole Rocker Power Switch

SDDJF1A Series



Industry's thinnest with a 5.2mm body width.



Ratings and Safety Standards

Items	Specifications
SEMKO(ENEC)	10(6)/250~ 8A/128A250V~

Product Line

Circuit arrangement	Travel (mm)	Operating force	Mounting method	Terminal configuration	Marking (Knob)	Minimum order unit (pcs.)	Minimum order unit (pcs.)
SPST	4.6	3±2N	Snap-in	Lead	without	750	SDDJF1A100

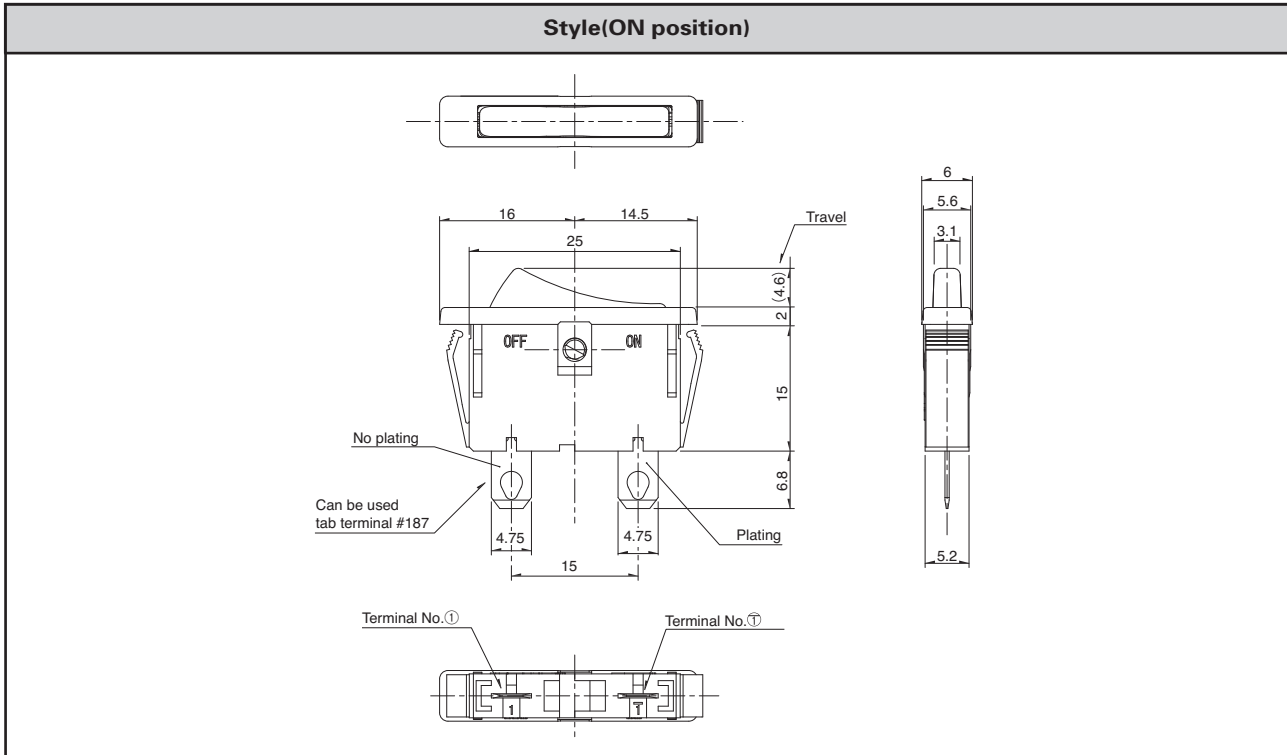
Packing Specifications

Bulk

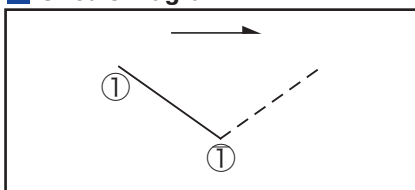
Product No.	Number of packages (pcs.)		Export package measurements (mm)
	1 case /Japan	1 case /export packing	
SDDJF1A100	150	750	400×270×290

Dimensions

Unit:mm



Circuit Diagram



Detector

Push

Slide

Rotary

Encoders

Power

Dual-in-line
Package Type

TACT Switch™

Custom-
Products

Push
Type

Rocker
Type





Slide
Type

Rotary
Type



Automotive
Use

List of Varieties

Items	Type	Rocker	Slide		Rotary	
	Series	SDDJF 1A	SDKP	SDKT	SDKZ	
Photo						
Travel (mm)		4.6	6	2.2	Full rotation	
Remark					With signal circuit	
Operating temperature range		-10°C to +55°C	-10°C to +60°C		-10°C to +70°C	
Automotive use		○	—	—	—	
Rating		8A / 128A 250V~ 10(6) / 250~	5A 250V AC	6A 125V AC	PS:16(6)A 250V AC, 14(6)A 250V AC DC:0.1A 12V DC	
Electrical performance	Contact resistance	100mΩ max.		10mΩ max.	100mΩ max. 1Ω max.	
	Insulation resistance	500MΩ min. 500V DC		1,000MΩ min. 500V DC	500MΩ min. 500V DC 100MΩ min. 100V DC	
	Voltage proof	2,000V AC for 1minute		1,000V AC for 1minute	2,000V AC for 1minute 100V AC for 1minute	
Mechanical performance	Terminal strength	50N for 1minute	10N for 1minute		20N 5N	
	Actuator strength	Operating direction	25N	50N	30N	—
		Perpendicular direction	25N	—	10N	30N
	Resistance to soldering heat	Manual soldering	350±10°C, 3 ⁺¹ s	350±10°C, 3±0.5s		350±10°C, 3 ⁺¹ s
Dip soldering		—	260±5°C, 10±1s			
Durability	Operating life	10,000cycles	100cycles	20,000cycles	10,000cycles 30,000cycles	
		Load : As ratings	Without load	Load : As ratings		
Environmental performance	Cold	-20±2°C for 96h			-40±2°C for 240h	
	Dry heat	85±2°C for 96h			85±2°C for 240h	
	Damp heat	40±2°C, 90 to 95%RH for 96h			40±2°C, 90 to 95%RH for 240h	
Page		258	259	260	261	

Detector

Push

Slide

Rotary

Encoders

Power

Dual-in-line
Package Type

TACT Switch™

Custom-
Products

Push
Type

Rocker
Type

Slide
Type

Rotary
Type

Note

○marks in "Available for automotive use" indicate that some of the series products can work at the operating temperature range from -40°C to +85°C.