

# HAMLIN

www.hamlin.com

## 5925 I Seating Occupancy Reed Switch Sensor Features and Benefits



### Features

- Magnetically operated position sensor
- Simple push fit mounting
- Normally open contact
- Operates when plunger is depressed
- Choice of cable length
- Choice of connector
- Large integral dome

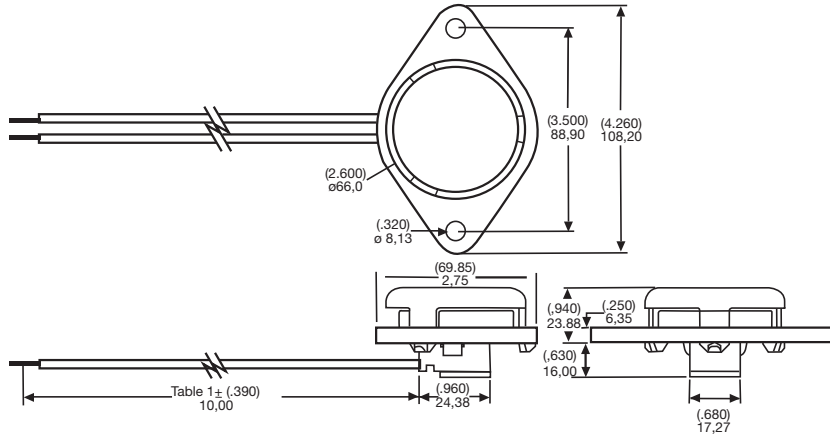
### Benefits

- Robust construction makes this sensor well suited to harsh environments
- No standby power required
- Integral neoprene boot provides protection from severe environments
- Hermetically sealed, magnetically operated contacts give excellent life and reliability

### Applications

- Seat occupancy sensing
- Position and limit sensing

### DIMENSIONS (in) mm



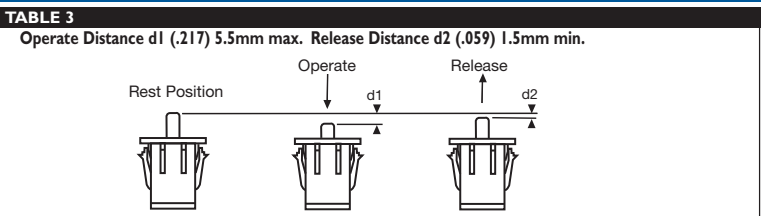
### Switching Specifications

SPECIFICATIONS			I
Switch Type			Normally open
Contact Type			
Contact Rating	Power	Watts - max	10
Voltage	Switching	max.	200Vdc 140Vac RMS
Voltage	Breakdown	Vdc-min.	250
Current	Switching	max.	0.5Adc 0.35Aac RMS
Current	Carry	max.	0.5Adc 0.35Aac RMS
Resistance	Contact, Initial	0hms-max.	0.2
Resistance	Insulation	0hms-min.	10 <sup>10</sup>
Capacitance	Contact	pF-typ.	0.2
Temperature	Operating	°C	-40 to +85
Temperature	Storage	°C	-65 to + 105
Shock	1 lms 1/2 Sine	g-max.	100
Vibration	50 - 2000Hz	g-max.	30

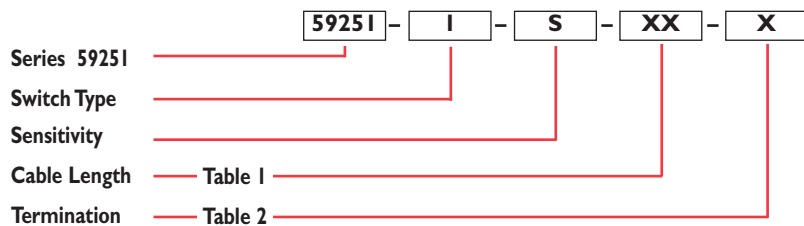
### Cable Length and Termination Specification

TABLE 1 CABLE LENGTH: (Cable Type 18 AWG1930 PVC 105°C)		TABLE 2 Termination	
Select Option	Length Type	Select Option	Description
01	(3.94) 100	A	Tinned leads
02	(11.81) 300	B	Deutsch DTM04-2P
03	(19.69) 500	C	(0.25") 6.35mm Insulated Fastons
04	(29.53) 750		
05	(39.37) 1000		

### Activation (without boot and dome)



### ORDERING INFORMATION



**Hamlin USA** Tel: +1 920 648 3000 • Fax: +1 920 648 3001 • Email: sales.us@hamlin.com  
**Hamlin UK** Tel: +44 (0)1379 649700 • Fax: +44 (0)1379 649702 • Email: sales.uk@hamlin.com  
**Hamlin Germany** Tel: +49 (0) 6142 923920 • Fax: +49 (0) 6142 923921 • Email: sales.de@hamlin.com  
**Hamretrol France** Tel: +33 (0) 1 4687 0202 • Fax: +33 (0) 1 4686 6786 • Email: sales.fr@hamlin.com

INFORMATION PROVIDED ON THIS DATA SHEET IS PROVIDED FOR INFORMATION PURPOSES ONLY AND SHOULD NOT BE RELIED UPON AS BEING ACCURATE FOR ANY PARTICULAR PURPOSE. Product performance may be affected by the application to which the product is applied. Upon request, HAMLIN will assist purchasers by providing information specific to any particular application. HAMLIN disclaims any and all liability whatsoever for any purchaser's reliance upon the information contained on this data sheet without further consultation with authorised representatives of HAMLIN.

