



Features

- Surface mounting changeover switch
- Miniature size with 14.73mm x 2.54mm (0.580" x 0.100") glass envelope
- Capable of switching 175Vdc or 0.25A at up to 5W
- 10⁹ Ohms insulation resistance
- Available sensitivity 15-30 AT
- Bulk or tape and reel packaging. See sheet 2

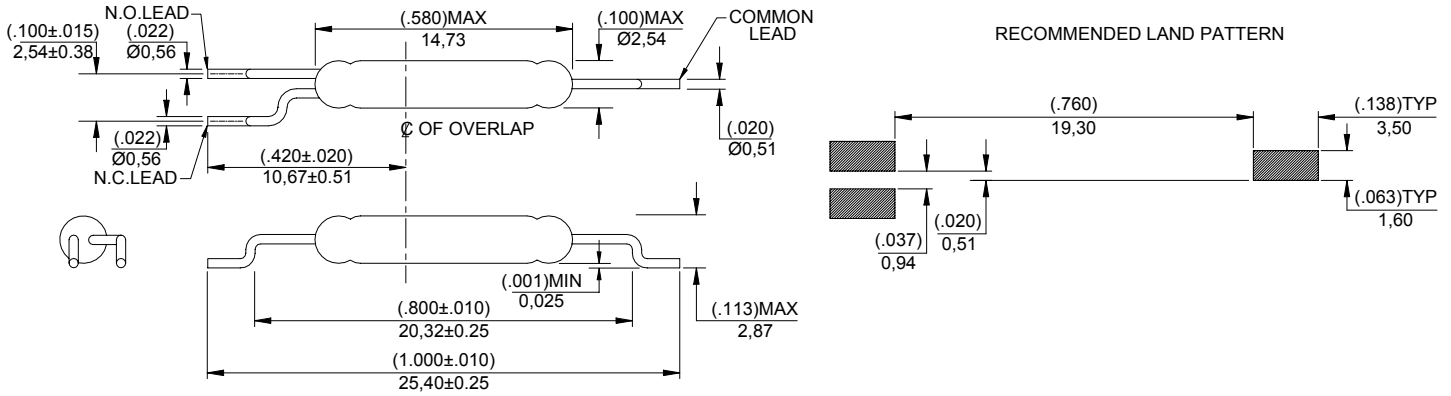
Benefits

- Hermetically sealed switch contacts are not affected by and have no effect on their external environment
- Low, stable contact resistance
- Very small space requirements
- Zero operating power required for contact closure
- Fit and forget durability

Applications

- Position sensing
- Level sensing
- Telecoms
- Office Equipment
- Mobile Phones

SWITCH DIMENSIONS (in) mm



SWITCH TYPE

MDSM-DT

ELECTRICAL RATINGS

Contact Form C - Changeover

Contact Rating (1)	Power	Watts - max	5
Voltage	Switching	Vdc - max.	175
	Breakdown	Vdc - min.	200
Current	Switching	A - max.	0.25
	Carry	A - max.	1.5
Resistance	Contact, Initial	Ohms - max.	0.1
	Insulation	Ohms - min.	10 ⁹
Capacitance	Contact	pF - typ.	1.0
Temperature	Operating	°C	-40 to +125
	Storage (2)	°C	-65 to +125

OPERATING CHARACTERISTICS

Time	Operate (3)	ms - max.	0.7
	Release (3)	ms - max.	1.0
Shock	11ms ½ sine	G - max.	50
Vibration	50-2000 Hz.	G - max.	30
Resonant Frequency		kHz -typ.	11

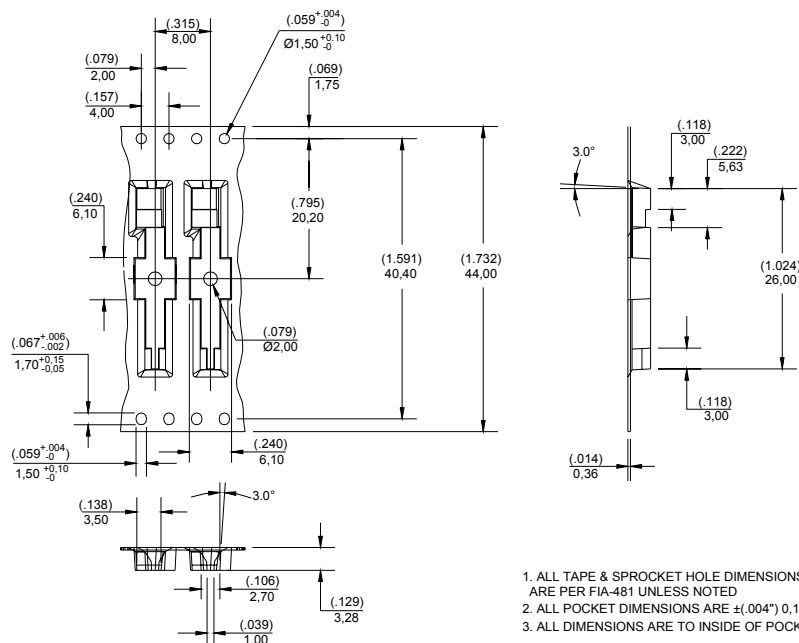
MAGNETIC CHARACTERISTICS

Pull-In Ranges Available	Switch AT before modification	Ampere Turns (AT)	15-30, 15-20, 20-25 and 25-30
Rating Sensitivity (4)		Ampere Turns (AT)	20
Test Coil			L4989

- Notes:-**
- 1) Contact Rating. Product of the switching voltage and current must never exceed the wattage rating. Contact Hamlin for additional load/life information.
 - 2) Storage Temperature. Long term exposure at elevated temperature may degrade solderability of the leads.
 - 3) Operate (including bounce) /Release Time. Tested per EIA/NARM RS421A with diode suppressed coil.
 - 4) Rating Sensitivity. The value at which the contact ratings and operating characteristics are determined. De-rating may be required below this value.

Packaging: - Bulk - 100 per Box or Tape and Reel - 2,500 per Reel

TAPE DIMENSIONS (in) mm



1. ALL TAPE & SPROCKET HOLE DIMENSIONS ARE PER FIA-481 UNLESS NOTED
2. ALL POCKET DIMENSIONS ARE $\pm(.004")$ 0,10mm
3. ALL DIMENSIONS ARE TO INSIDE OF POCKET

REEL DIMENSIONS (in) mm

