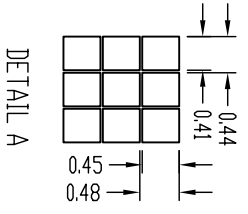
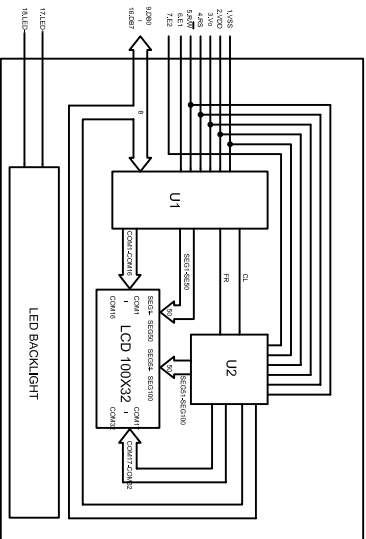
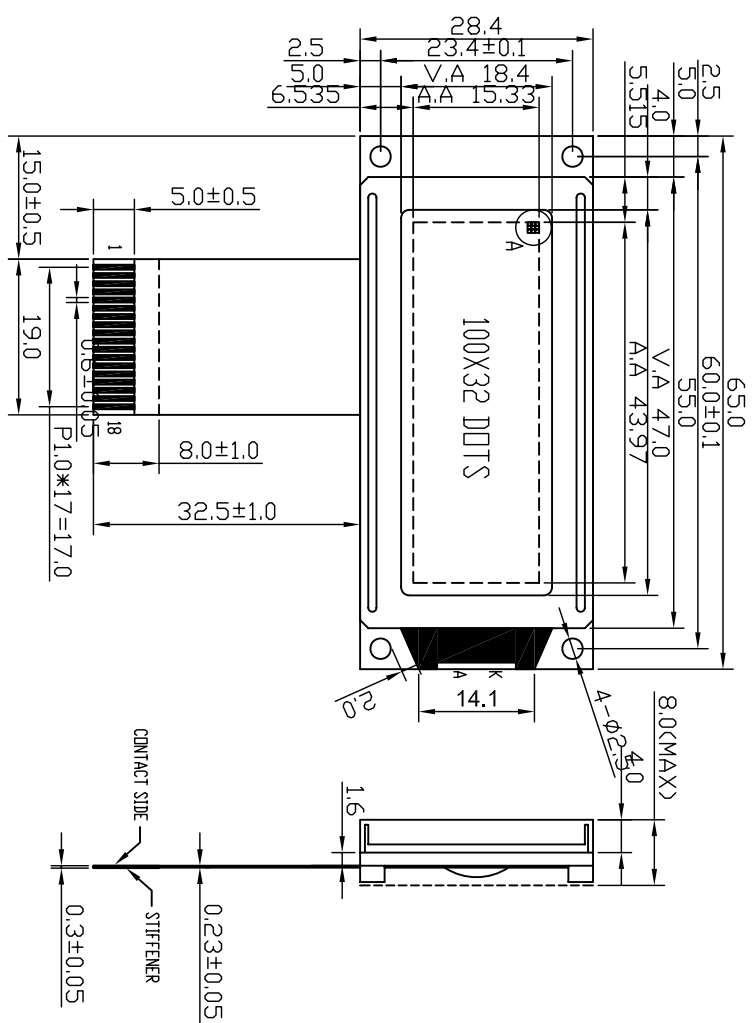


1	2	3	4	5	6	7	8
---	---	---	---	---	---	---	---



18	LED-
17	LED+(V <sub>+</sub> )
16	DB7
15	DB6
14	DB5
13	DB4
12	DB3
11	DB2
10	DB1
9	DB0
8	NC
7	E2
6	E1
5	R/W
4	RS
3	V <sub>0</sub>
2	V <sub>DD</sub>
1	V <sub>SS</sub>

THE PART NUMBER IN MASS PRODUCTION

1.FSTN/POSITIVE/TRANSPARENT;B.L:WHITE LED BACKLIGHT;6 O'CLOCK;

ITEM	SELECTABLE CONTENTS
DISPLAY MODE	STN YELLOW MODE STN GRAY MODE STN BLUE MODE FSTN
POLARIZER TYPE	REFLECTIVE TRANSPARENT TRANSMISSIVE, POSITIVE TRANSMISSIVE, NEGATIVE
VIEWING DIRECTION	6 O'CLOCK 12 O'CLOCK WHITE Y-G RED GREEN BLUE AMBER
LED BACKLIGHT	TRICOLOR STANDARD TEMPERATURE WIDE TEMPERATURE
TEMPERATURE RANGE	
OPERATING VOLTAGE	5.0V
LED DRIVING VOLTAGE	6.4V
LED DRIVE METHOD	1/32 DUTY, 1/6 BIAS
LED DRIVE IC	PT6620 OR EQUIV

NOTE:  
1. The power supply for backlight is depended on the backlight color and the value of current-limiting resistance.

1	2	3	4	5	6	7	8
---	---	---	---	---	---	---	---

UNIT	MM	TOLERANCE	X.X = ±0.2
3RD ANGLE			X.XX = ±0.10
ANG			-
SCALE:	1:1		
DRAWN:			
CHECKED:			
APPROVED:			

TITLE:	LCM
MODEL NO:	AGM1032A SERIES
PART NO:	
REV	A
SH NO	1/1

# AZ DISPLAYS