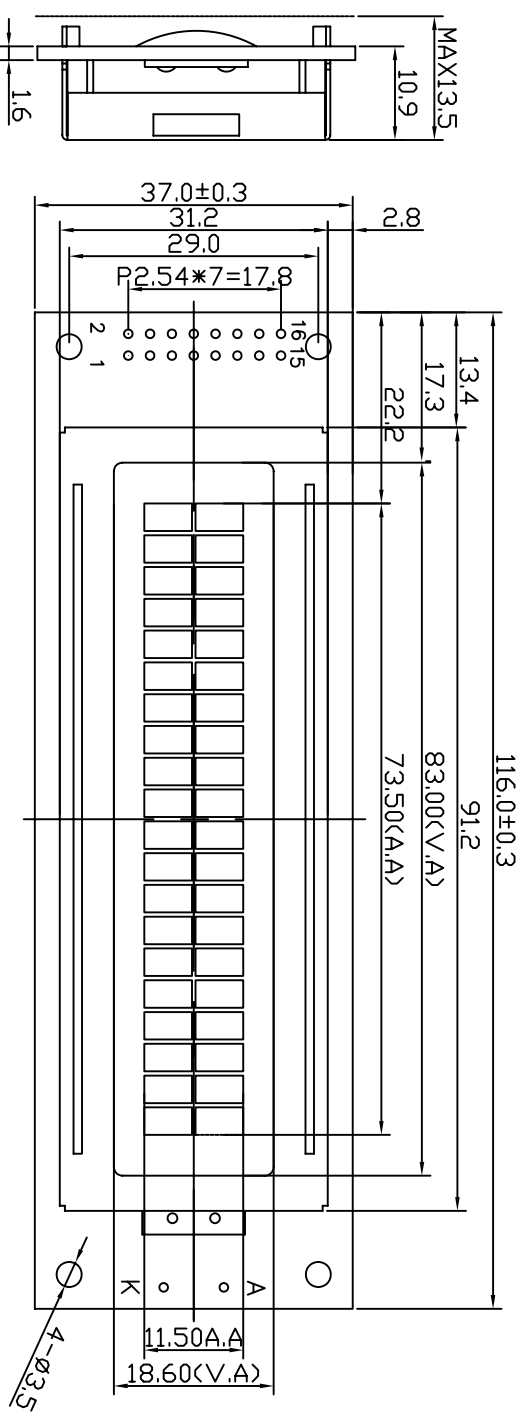
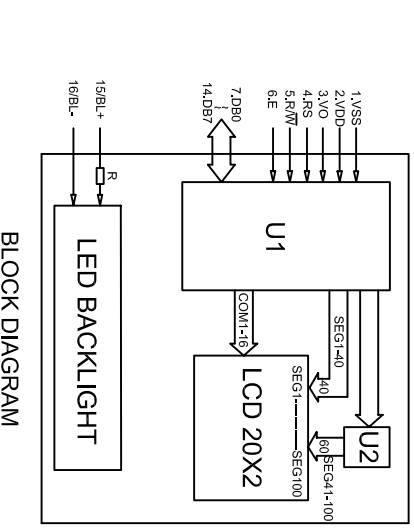


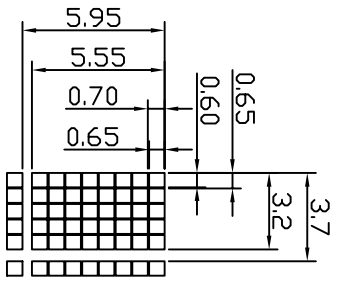
1	1	2	3	4	5	6	7	8
REV	ECN NO.	NATURE OF MODIFICATION	CN/DATE					
△1		First Issued	20/01/10					
△2								
△3								



16	BL-
15	BL+
14	DB7
13	DB6
12	DB5
11	DB4
10	DB3
9	DB2
8	DB1
7	DB0
6	E
5	R/W
4	RS
3	V0
2	VDD(SV)
1	VSS
	PIN SYMBOL



BLOCK DIAGRAM



THE PART NUMBER IN MASS PRODUCTION

1.BLUE STN,NEGATIVE,TRANSMISSIVE LCD;WHITE BACKLIGHT;12 O'CLOCK
 2.Y-G STN,POSITIVE TRANSELECTIVE LCD;Y-G BACKLIGHT;6 O'CLOCK

3--	4--	5--	6--
1	2	3	4
5	6	7	8

ITEM	SELECTABLE CONTENTS
DISPLAY MODE	STN YELLOW MODE STN GRAY MODE STN BLUE MODE FSTN
POLARIZER TYPE	REFLECTIVE TRANSPARENTIVE TRANSMISSIVE,POSITIVE TRANSMISSIVE,NEGATIVE
VIEWING DIRECTION	6 O'CLOCK 12 O'CLOCK WHITE Y-G RED GREEN BLUE AMBER TRI-COLOR
LED BACKLIGHT	STANDARD TEMPERATURE WIDE TEMPERATURE ENGLISH-JAPANESE FONTS ENGLISH-EUROPEAN FONTS ENGLISH-RUSSIAN FONTS CYRILLIC FONTS HEBREW FONTS
TEMPERATURE RANGE	5V 4.5V
CHARACTER PATTERNS	1/16 DUTY 1/5 BIAS SPLC780D1
OPERATING VOLTAGE	5V
LCD DRIVING VOLTAGE	4.5V
LCD DRIVE METHOD	1/16 DUTY 1/5 BIAS
LCD DRIVE IC	SPLC780D1
NOTE:	1.The backlight can be driven by PIN15,PIN16 or pin1 ,pin2 which is selectable. 2.The voltage of backlight is depended on the backlight color and the value of current-limiting resistance. 3.The operating voltage can be driven by 3.3v which is selectable.

AZ DISPLAYS

TITLE: LCM

MODEL NO: ACM2002EC SERIES

PART NO:

UNIT	MM	TOLERANCE	X.X = ±0.2 X.XX = ±0.10
3RD ANGLE		ANG =	-
SCALE:	1:1		
DRAWN:	Li chao hui		
CHECKED:			
APPROVED:			
REV	A	SH NO	1/1